

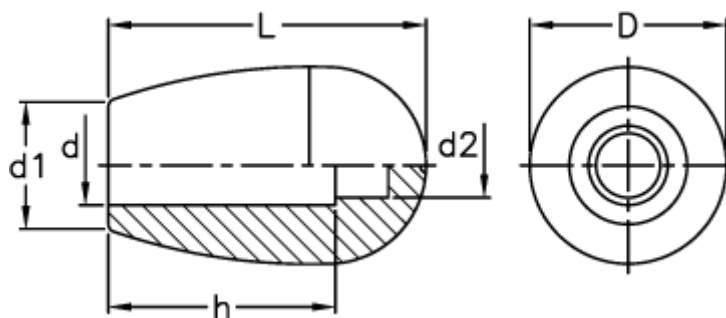
Data Sheet



Article number: 2304151232

Description: E+G Handle
I.622/55 N-10 CLEAN

Measures



d = 10
D = 34
d1 = 21
d2 = 5.5
h = 40
L = 54.5